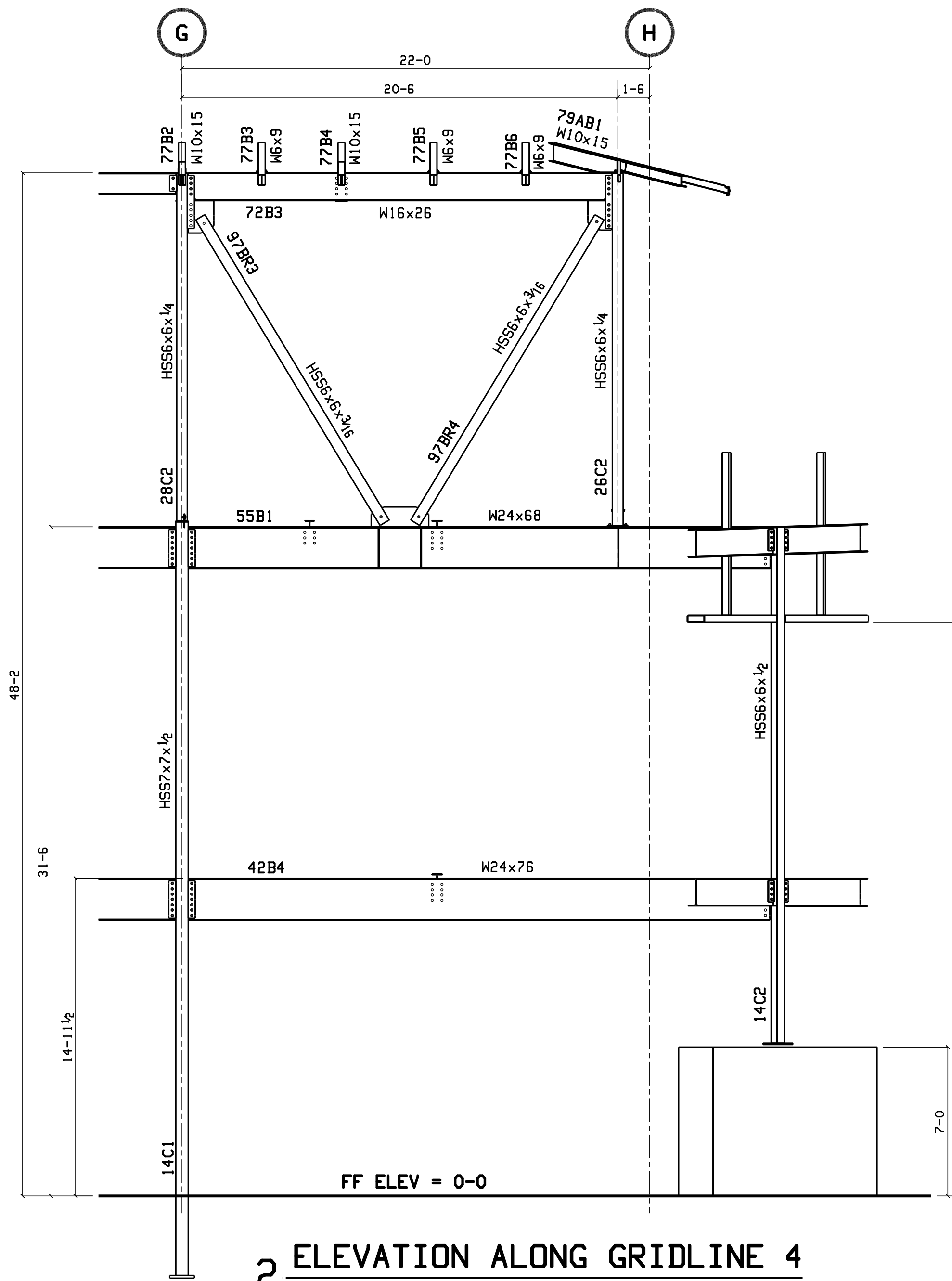
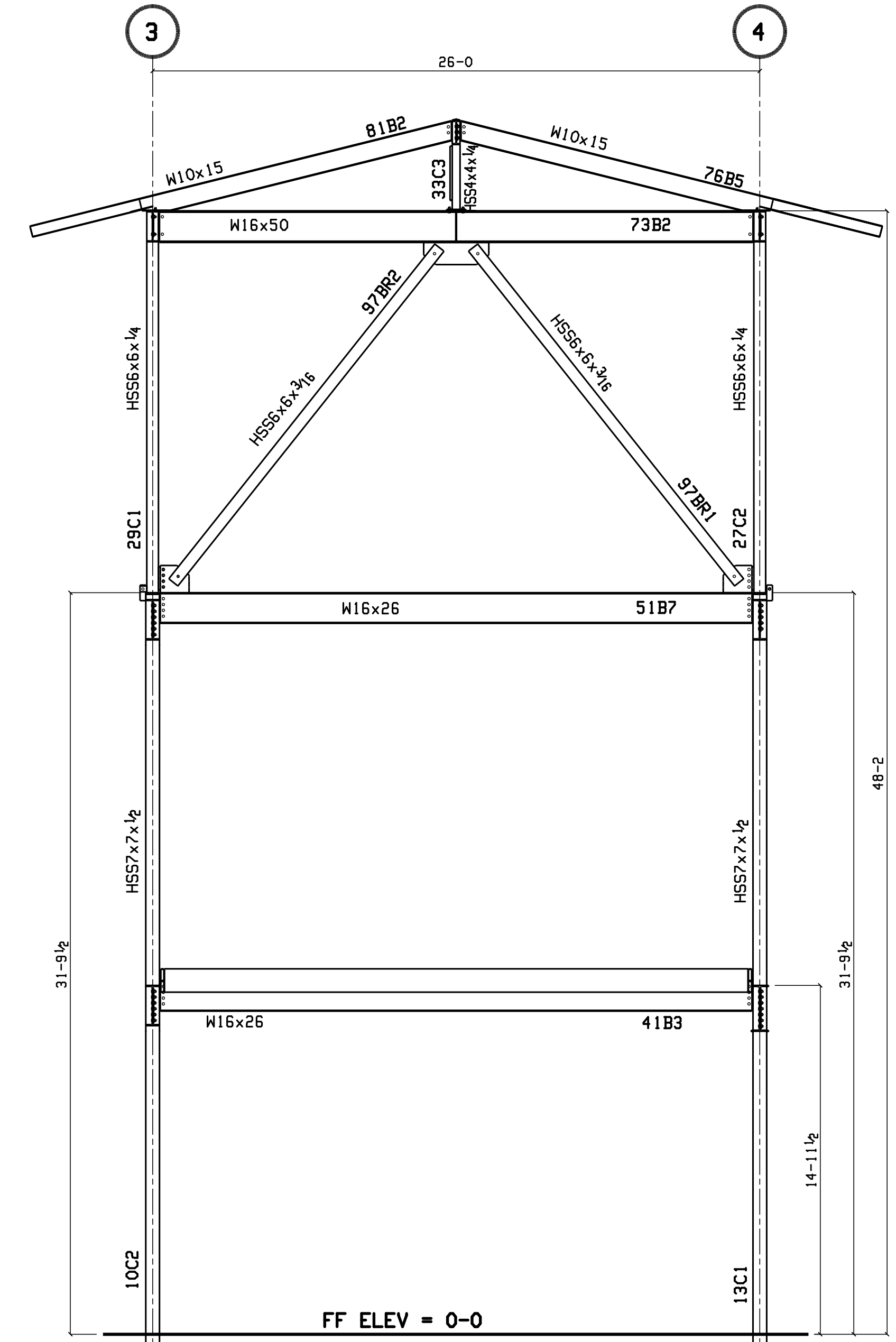


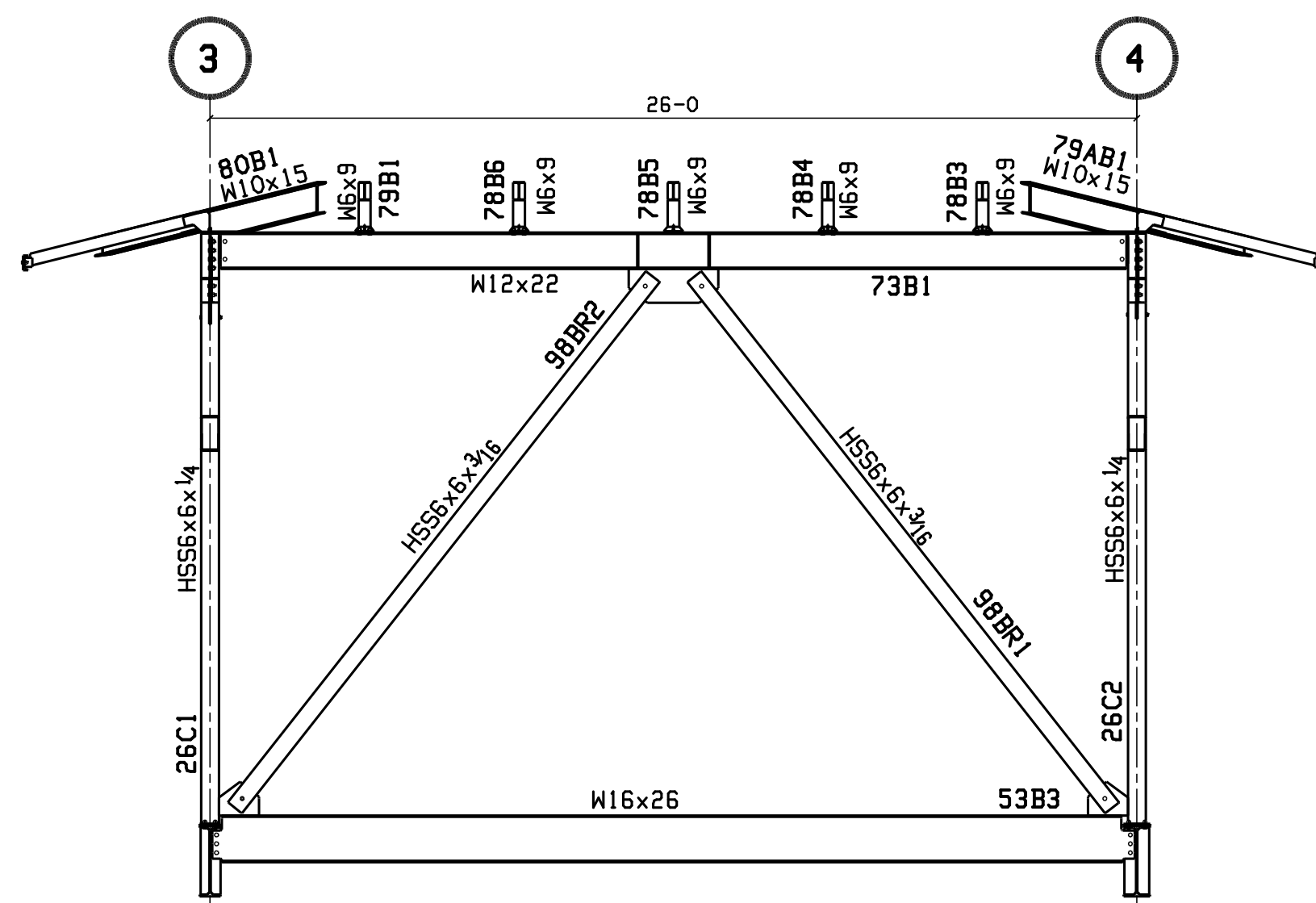
1 ELEVATION ALONG GRIDLINE 3



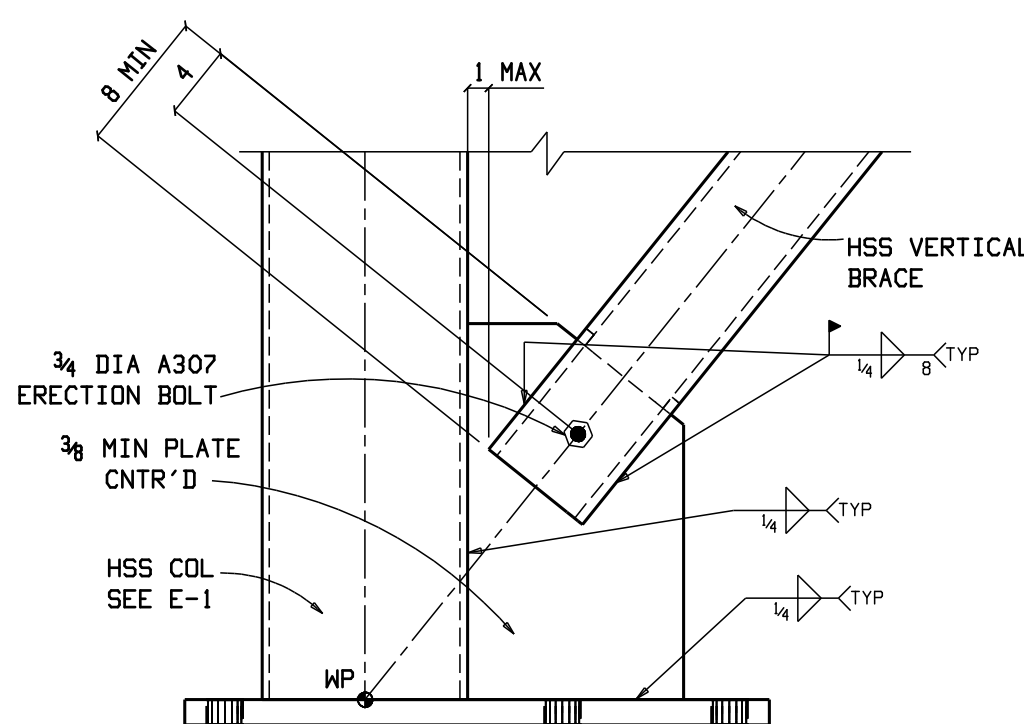
2 ELEVATION ALONG GRIDLINE 4



3 ELEVATION ALONG GRIDLINE F

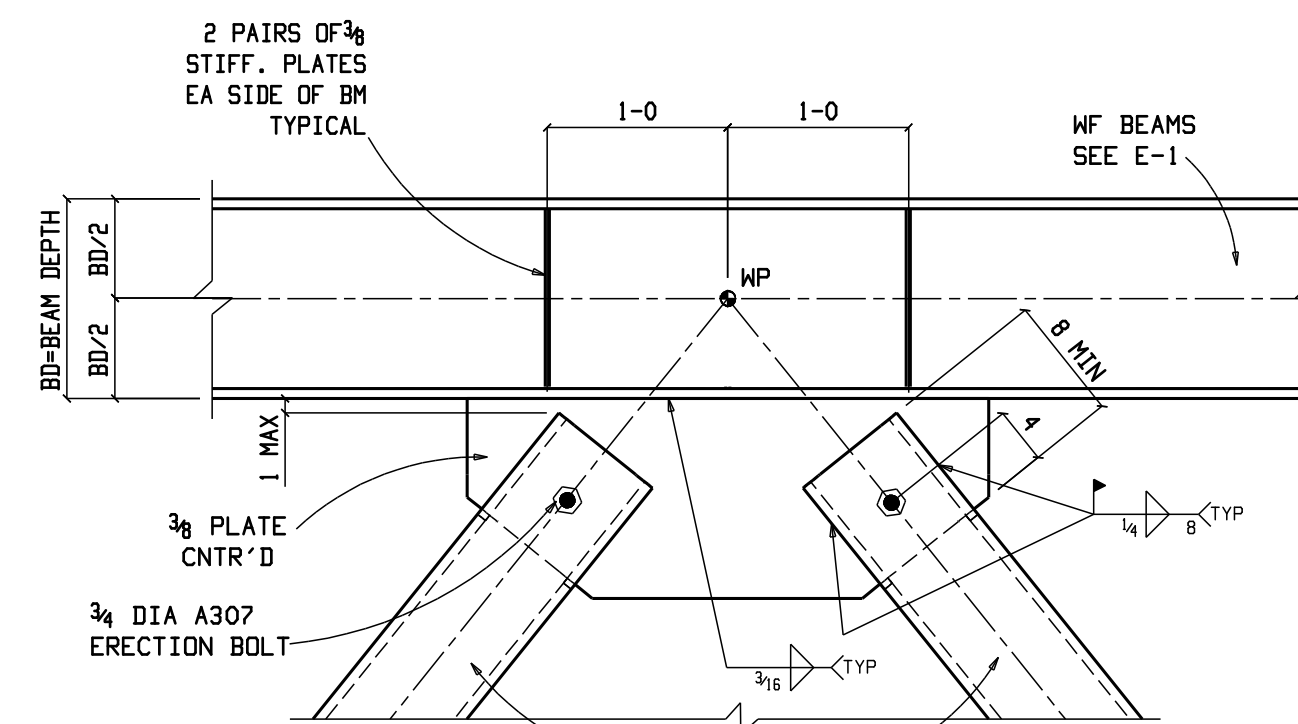


4 VERTICAL BRACE ELEVATION
(APPLIES @ ROOF ONLY)

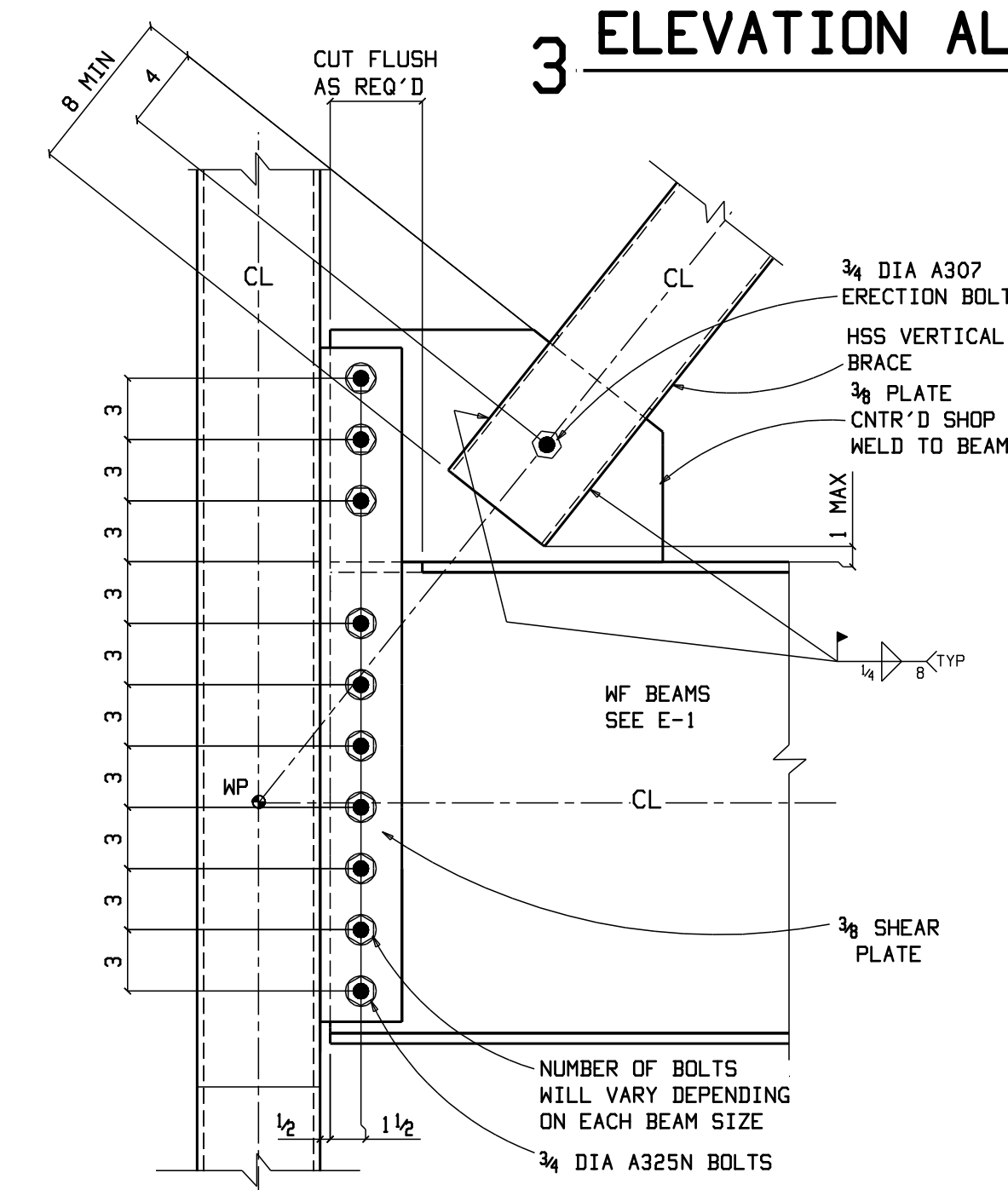


5 SECTION

NOTE:
SEE SHOP DRAWINGS
FOR ACTUAL PLATE
DIMS & LAYOUTS. DETAILS
SHOWN HERE REPRESENT ONLY
THE MINIMUM CRITERIA USED
TO DETAIL THE MEMBERS



6 SECTION



7 SECTION

Structural Steel Services	
REINFORCING STEEL STRUCTURAL STEEL	
EL PASO, TEXAS 915-857-3100	
PROJECT : UTEP BOOKSTORE	
LOCATION : EL PASO, TX	
DRAWING : FRAMING ELEVATIONS	
CUSTOMER : URBAN ASSOCIATES, INC	
ENGINEER : ROBERT NAVARRO & ASSOCIATES	
REV. BY	DATE DESCRIPTION
EV	8-22-08 ISSUED FOR FIELD USE
DRAWN BY : EV JOB NO. SHEET NO.	
APPROVAL : 3-4-08	
SHOP :	
FIELD :	
0801 E-14 Δ	