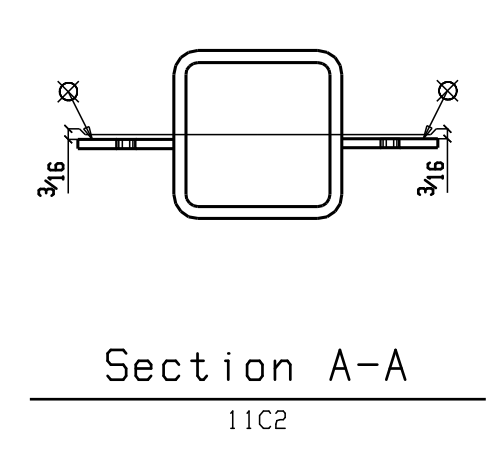
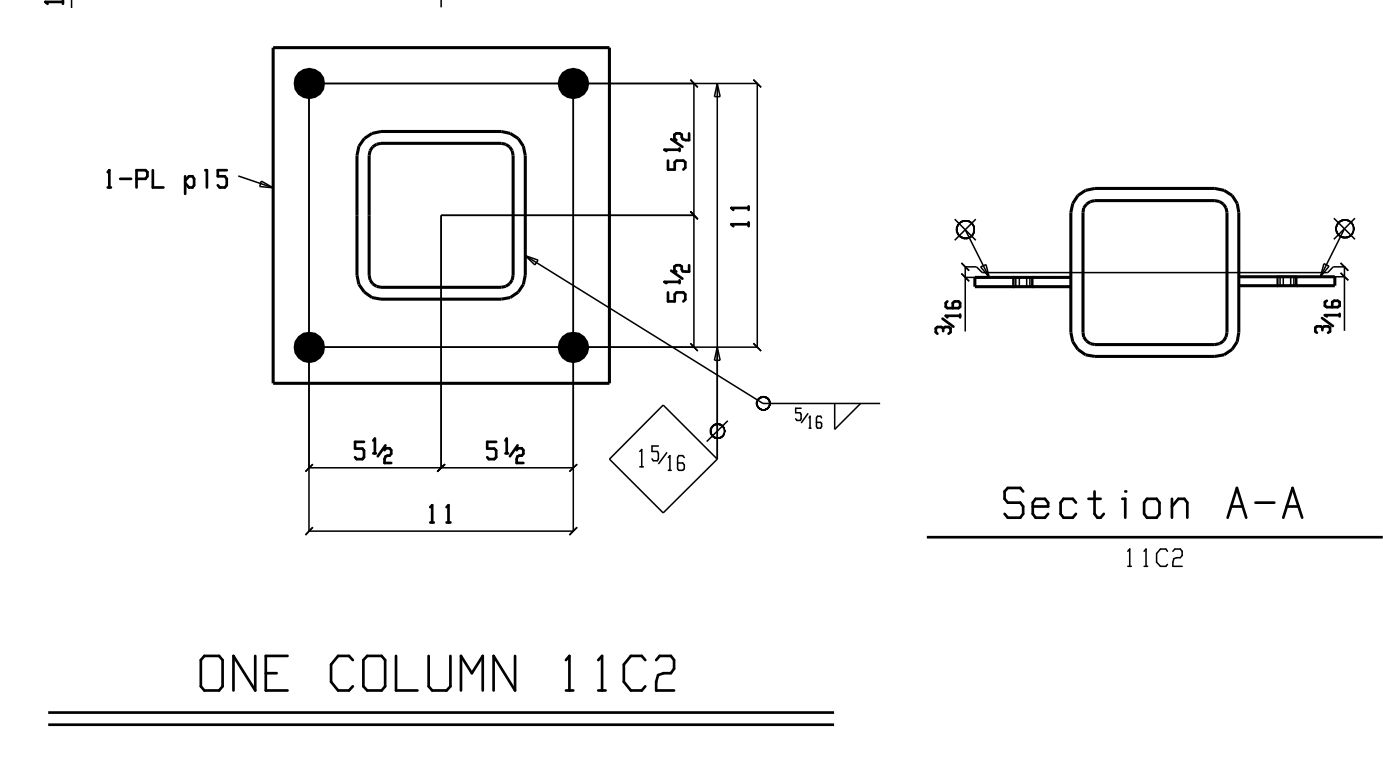
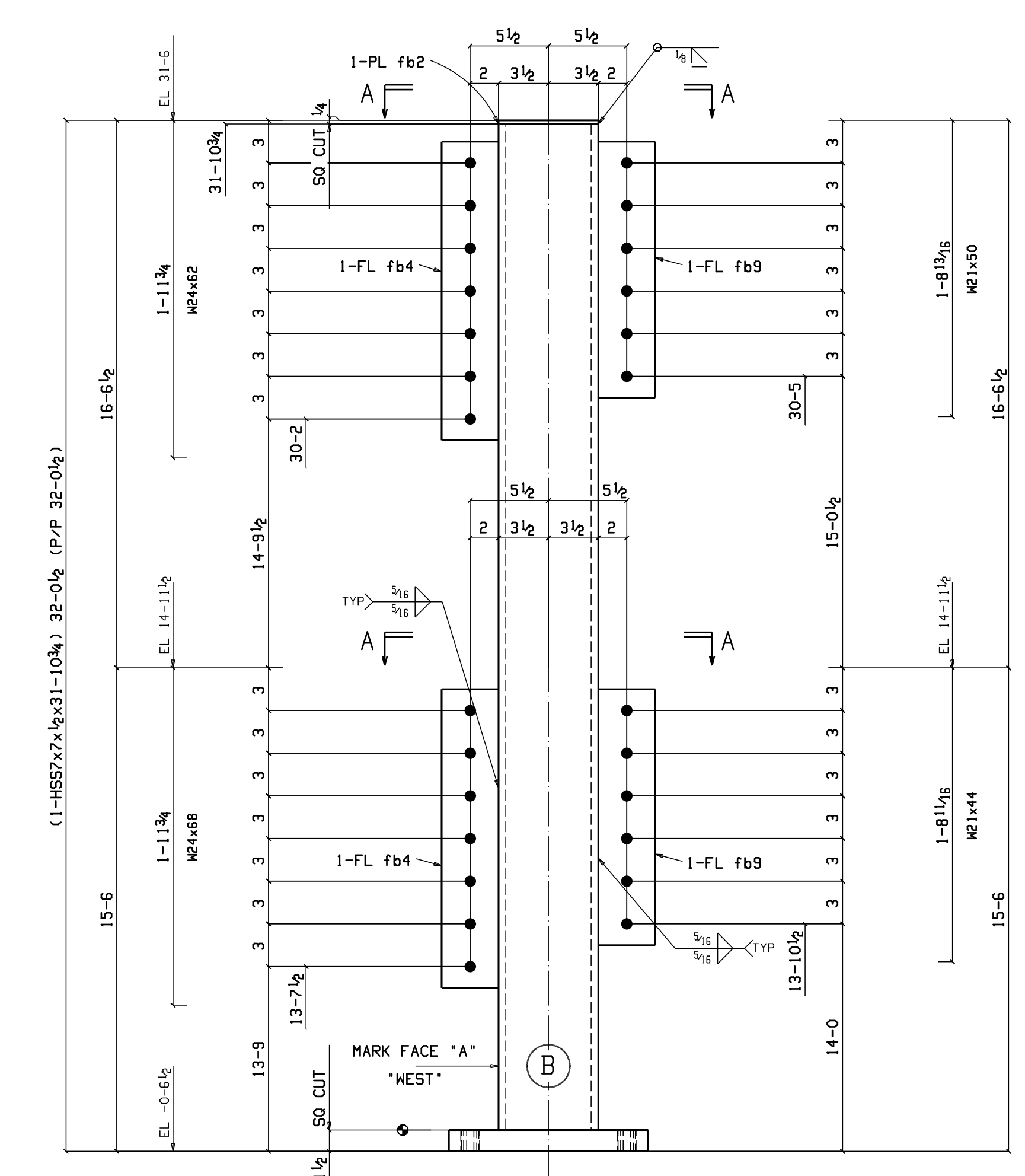
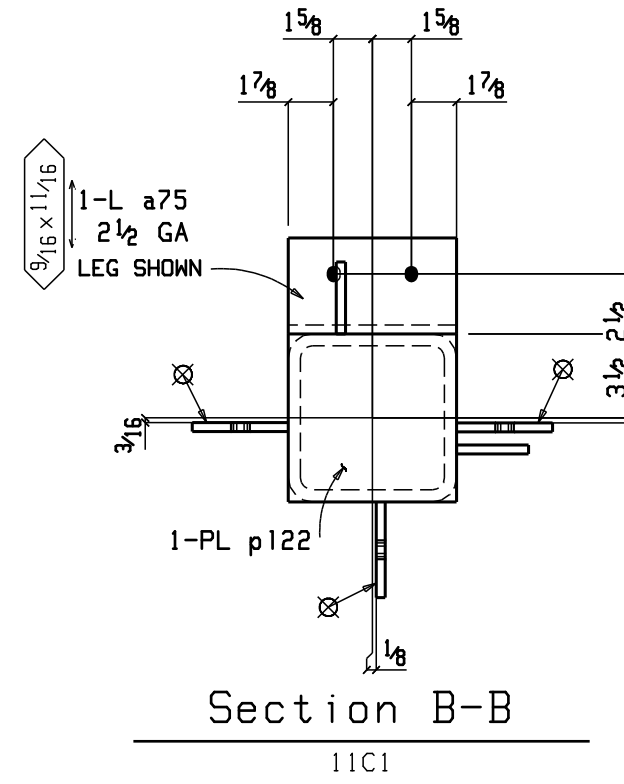
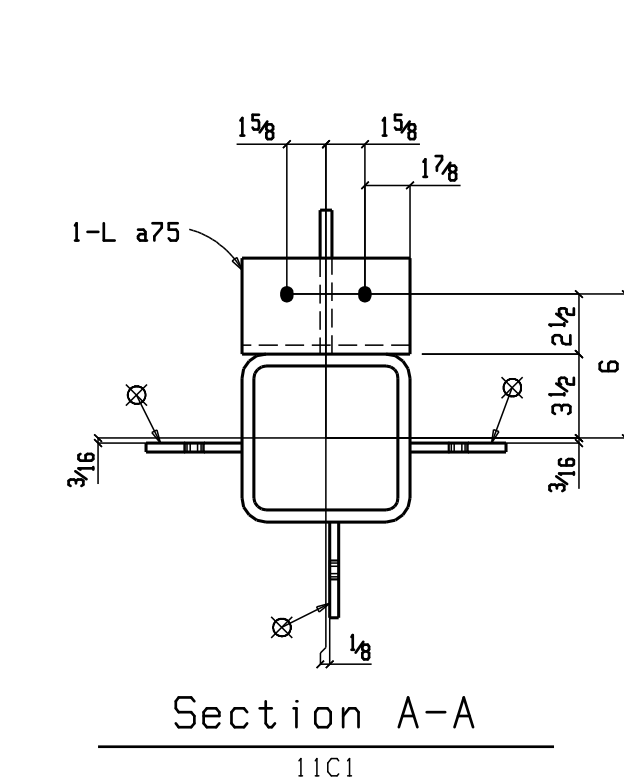
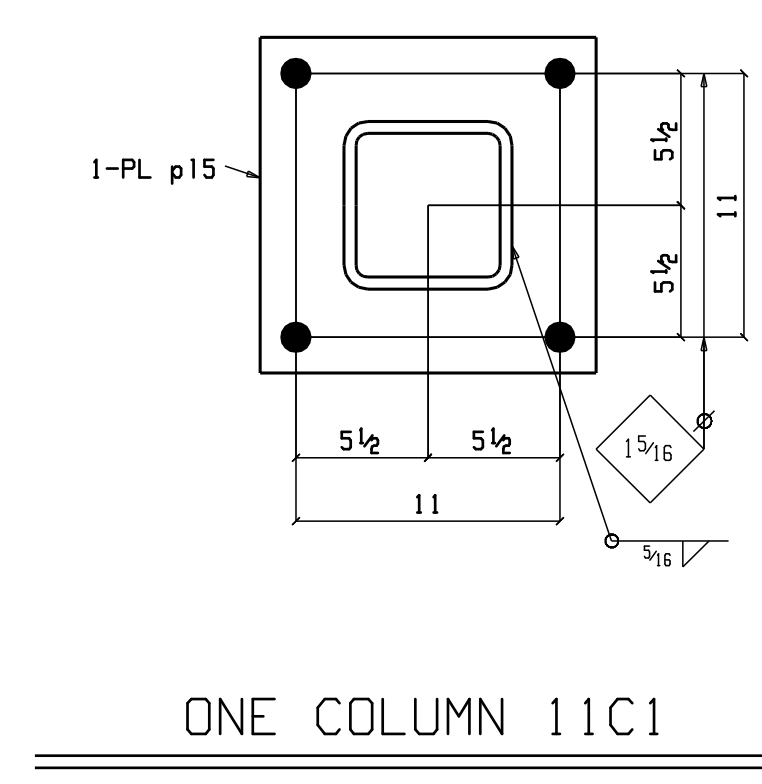
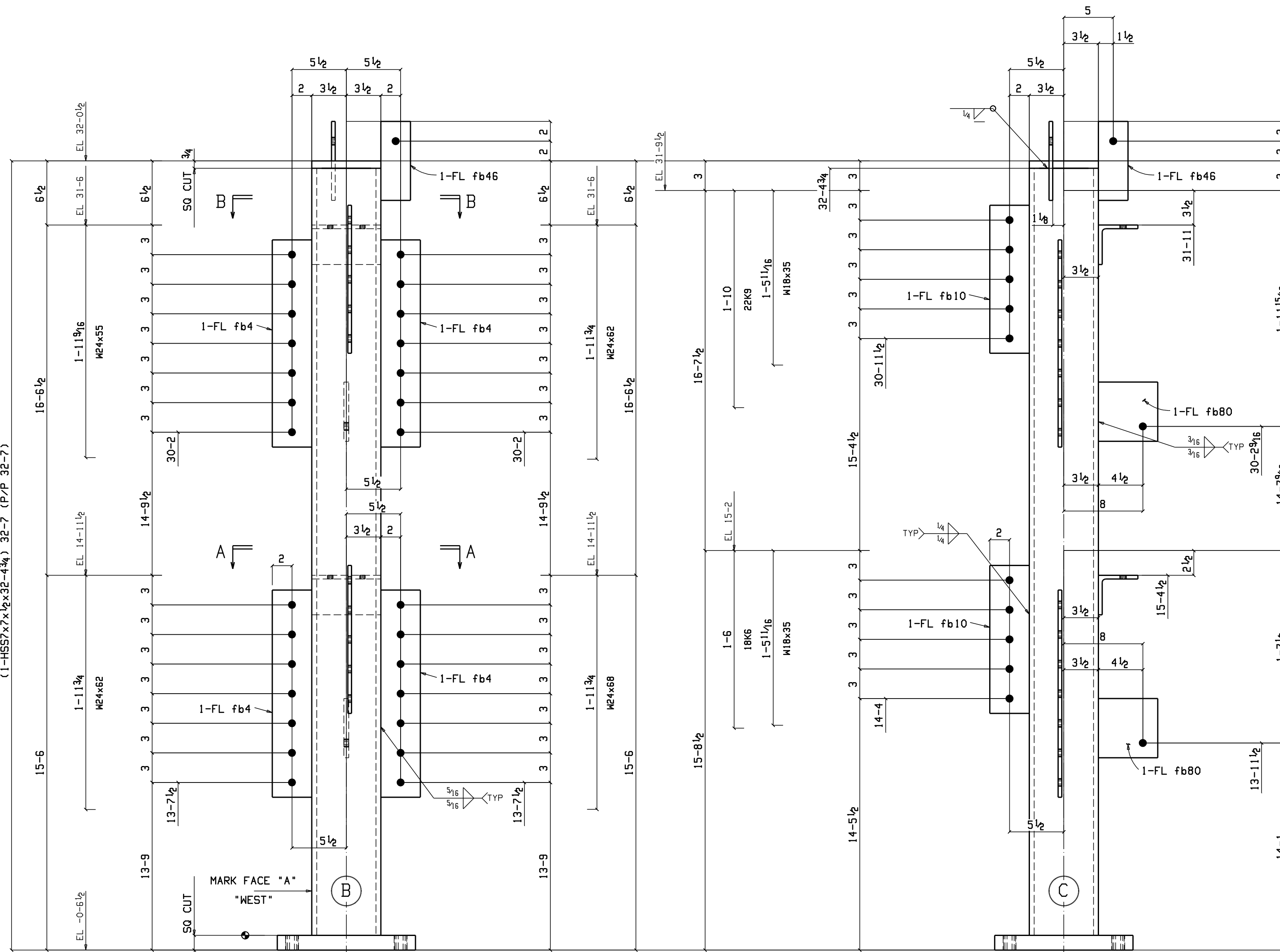


(1-HSS7x7x $\frac{1}{2}$ x32-4 $\frac{1}{2}$) 32-7 (P/P 32-7)



BILL OF MATERIAL

Piece Mark	Quantity	Minor Mark	Unit	Description	Length	Remarks	Weight Total	Steel Grade
11C1	ONE			COLUMN			1531	
	1	11C1	1	HSS7x7x $\frac{1}{2}$	32 4 $\frac{1}{2}$	SCE	1362	A500B
	2	a75	2	L4x4x $\frac{3}{8}$	0 7		11	A36
	1	p15	1	PL1 $\frac{1}{2}$ x14	1 2		83	A36
	1	p22	1	PL $\frac{3}{4}$ x7	0 7		10	A36
	2	fb80	2	FL $\frac{1}{2}$ x6	0 6		10	A36
	2	fb46	2	FL $\frac{3}{8}$ x8	0 3		5	A36
	4	fb4	4	FL $\frac{3}{8}$ x4	1 9		36	A36
	2	fb10	2	FL $\frac{3}{8}$ x4	1 3		13	A36
	2			FIELD BOLTS				
				$\frac{3}{4}$ Dia A325N	0 2	1HD WASH		
11C2	ONE			COLUMN			1461	
	1	11C2	1	HSS7x7x $\frac{1}{2}$	31 10 $\frac{1}{4}$	SCE	1341	A500B
	1	p15	1	PL1 $\frac{1}{2}$ x14	1 2		83	A36
	2	fb4	2	FL $\frac{3}{8}$ x4	1 9		18	A36
	2	fb8	2	FL $\frac{3}{8}$ x4	1 6		15	A36
	1	fb2	1	PL $\frac{1}{2}$ x7	0 7		3	A36

DELIVERY:

ALL HOLES: 1 $\frac{1}{8}$ DIA UNLESS NOTED

ONE S/C PAINT --- GRAY

TOTAL WEIGHT : 2993

STRUCT	AS NOTED ON BILL
PIPE	AS NOTED ON BILL
TUBE	AS NOTED ON BILL
ANGLES - PL'S	AS NOTED ON BILL

Structural Steel Services
REINFORCING STEEL ○ STRUCTURAL STEEL
EL PASO, TEXAS 915-857-3100

PROJECT : UTEP BOOKSTORE
LOCATION : EL PASO, TX
DRAWING : COLUMNS 2ND FLOOR
CUSTOMER : URBAN ASSOCIATES, INC
ARCHITECT : MIJARES - MORA ARCHITECTS

REV.	BY	DATE	DESCRIPTION
△	EV	7-28-08	ISSUED FOR FABRICATION

DRAWN BY : EV	JOB NO. : 0801	SHEET NO. : 11 △
APPROVAL : 3-4-08		
SHDP :		
FIELD :		